

Javelin Class International Association Constitution

Part 1	Javelin Class International Association Constitutional Rules
Part 2	Javelin Class Restrictions
Part 3	Javelin Class Measurement Guidelines
Part 4	Javelin Class Measurement Form

Revisions / Amendments

Please note- All Javelin Class International Class Constitutions with a reprint date later than July 2008, incorporate the following approved amendments.

Amendment	Explanation	Detail	Effective Date
1	New rule	Part 2, Rule 26	1 July 1992
2	Remove ambiguity	Part 2, Rule 1.4	1 July 1997
	Change rule	Part 2, Rule 10.2.1, 10.2.2	
	Improve wording	Part 2, Rule 11.3.1	
	New Rule	Part 2, Rule 11.3.3	
3	Asymmetric Spinnaker	Part 2, Rule 11.5	1 July 1998
4	Reorganisation of rules	Part 2	1 July 2000
	Change rule	Part 2, Rule 8.13.1, 10.1 , 11.3.8	
5	Introduction added	Part 2, Introduction	1 July 2002
	Rule deleted	Part 2, Rule 2.3.	
	Change rule	Part 2, Rule 8.4	
	Remove ambiguity	Part 2, Note to 8.8.1 & 8.8.2	
	Change rule measurements	Part 2, Rule 8.13.1	
	Change weighing device	Part 2, Rule 8.15.1	
	Simplify weighing	Part 2, Rule 8.15.2	
	Increase corrector weight	Part 2, Rule 8.15.3	
	Change rule measurements	Part 2, Rule 10.2.2 , 10.2.3, 10.2.4	
	Remove ambiguity	Part 2, Rule 10.2.6	
	Rule deleted	Part 2, Rule 10.3.2	
	Change rule	Part 2, Rule 10.4.1	
	Remove ambiguity	Part 2, Rule 10.4.2	
	Rule deleted	Part 2, Rule 10.4.3	
	Measurement form updated	Part 4, Rules affected by above	
6	Rules deleted	Part 2, Rule 8.13.1, 8.13.2	1 July 2004
	Guidelines updated	Part 3	
	Measurement form updated	Part 4, Rules affected by above	
7	Change rule	Part 2, Rule 11.3	1 July 2008
	Guidelines updated	Part 3	
	Measurement form updated	Part 4, Rules affected by above	

Part 1 Constitutional Rules

1 NAME

The name of the Association shall be JAVELIN CLASS INTERNATIONAL ASSOCIATION (hereinafter referred to as “the Association”).

2 INSIGNIA

The emblem of the Class shall be the recognised Javelin Class symbol and the Class Racing Warning signal shall be the International Code Flag ‘J’, except in countries where the National authority designates otherwise.

3 OBJECTS

The objects of the Association are:

Javelin Class International Association Constitution

- (a) In all countries to promote the interests of the Javelin 14 foot Restricted Class Yacht, its owners and sailors (hereinafter referred to as "the class").
- (b) To provide a medium of exchange of information among Javelin sailors throughout the World to enhance the enjoyment of the class.
- (c) To promote and develop racing of the Class in all countries under uniform rules.
- (d) To encourage and foster the enjoyment of the sport and recreational aspects of sailing.

4 JURISDICTION

The Association shall have jurisdiction over all Class affairs throughout the World. Its Class Rules and Restrictions shall govern all Class racing and its Constitution and By Laws shall be binding on all members and on all who own or sail in the Class. Javelin Class yachts must conform with the Association's official rules and restrictions.

5 MEMBERSHIP AND VOTING

- (a) Subject to the approval of its Constitution by a majority of the members of the Association, any National (or in the case of Australian, any State or Territory) Javelin Class Owner's Association is entitled to become a member of the Association (hereinafter referred to as the "Member Association") upon payment of the appropriate subscription. Each Member Association shall appoint one of its own members to be Vice-President of the Association to represent his Member Association with a voting power on the basis of one vote for each financial Full Member of such Member Association as at the 31st day of January in each year.
- (b) Subject to ratification of their Constitution, the founder Member Associations shall be:
 - The Javelin Class Owners Association of New Zealand Inc.
 - The Javelin Association Of N.S.W.
 - The Javelin Association of Victoria
 - The Javelin Association of Western Australia

6 MANAGEMENT

The headquarters of the Association shall be the country, State or Territory of the President and the affairs of the Association shall be managed by an International Council comprising the following members:

- (1) The President - who shall be elected by the Vice Presidents from among themselves and who shall serve as Chairman for a period of two years. The President shall have an additional or casting vote in the event of an equality of votes being cast at meetings of the International Council.
- (2) Vice Presidents - who shall be appointed to represent their Member Associations in manners hereinbefore prescribed in Clause 5.
- (3) The International Secretariat - consisting of the following non-voting Honorary Officers whose duties may be combined, namely: Secretary, Treasurer, Registrar, Technical Officer, and Publicity Officer, who shall be appointed by the President from among the members of the

Javelin Class International Association Constitution

Member Association which he represents provided however that the appointments of such officers shall be approved by a majority of the Vice Presidents.

7 MEETINGS

- (1) Meetings of the International Council shall be conducted by air mail letter unless the Council unanimously agrees to the contrary, and the Secretary shall convene at least one meeting in each year, and if necessary, additional meetings may be convened at the President of any two Vice Presidents.
- (2) In the case of a meeting conducted by air mail letter, the Secretary shall distribute to all members of the International Council-
 - (a) A notice of Meeting containing a request for items for the Agenda together with supporting comments.
 - (b) Draft Minutes for further comments, revised and re-issued as necessary until voted upon.
 - (c) Final Minutes together with voting lists. These shall be distributed without delay to the Secretary of each Member Association.
 - (d) The Present may prescribe a reasonable time within which any of the above may be completed.

8 FINANCE

- (1) **Assets**

The Treasurer shall receive all moneys due to the Association and all gifts or loans of whatever nature or kind, and shall hold or invest the same subject to approval of the International Council.
- (2) **Subscriptions**

Each Member Association shall pay to the Association within two calendar months of notification, such annual dues as shall be fixed the International Council proportional to the number of members of each Member Association as at the 31st day of January in each year.
- (3) **Liability**

The Association shall be liable only for expenditure authorised in writing by the Treasurer and countersigned by the President.
- (4) **Auditor**

An Honorary Auditor who shall not be a member of the International Council shall be appointed annually by the International Council.
- (5) **Accounts**

The financial year shall end on the 31st day of May in each year, and the accounts shall be audited, adopted by the International Council and circulated to all Member Associations by the 1st day of August next following.
- (6) **Winding up**

On winding up and after payment of the Association's liability any surplus funds or assets shall be distributed as a meeting of the Council shall direct.

9 BY LAWS

The International Council may make such By Laws as it thinks fit for the purpose of carrying out the objectives of the Association.

10 COMMITTEES

(1) General

The International Council shall appoint Committees as hereinafter provided by Clause 10 (2) and (3) and the President of the International Council shall in addition, have the power to appoint such other Committees as may be necessary for the purpose of carrying out the objectives of the Association. It is desirable but not obligatory for each Committee Chairman to be a member of the International Council. The President and Secretary shall ex officio be members of all Committees. Committees may co-opt such additional advisory non-voting members as may be necessary.

(2) International Measurement Committee

The International Measurement Committee shall comprise the following officers of the International Council; viz, the Technical Officer, who shall be Chairman, and the Registrar, who shall be Secretary, and the Technical Officers and Registrars of all Member Associations, who shall be the Committee Members.

The Committee shall be responsible to the International Council for the following:

- (a) Scrutinising and filing copies of all measurement forms as the Central Register of the Class.
- (b) Referring any doubtful cases to measurement sub-committees which shall be appointed by the Member Associations concerned and pursuing each case until satisfactorily settled.
- (c) Considering and recommending to the International Council such amendments to the Class Rules and Restrictions as may be desirable.
- (d) Issuing sail numbers according to an International Yacht Racing Union approved system.
- (e) Generally assisting the International Council and National or State Measurement sub-committees.

(3) International Racing Committee

The International Racing Committee shall comprise the following officers of the International Council; viz, the Technical Officer who shall be Chairman and the Publicity Officer, who shall be secretary, and the Publicity officers of all Member Associations who shall be the Committee Members.

The Committee shall be responsible to the International Council for the following:

- (a) Preparing and maintaining standard Racing and Sailing Instructions in accordance with International Yacht Racing Union Rules.
- (b) Arranging a suitable Racing Calendar.

Javelin Class International Association Constitution

- (c) Co-operating with Host Clubs in the organising of all International Meetings and with National, State or Territorial Racing Sub-committees, generally.
- (d) Co-ordinating publicity for the Class.

11 AMENDMENTS TO CONSTITUTION AND CLASS RULES AND RESTRICTIONS

- (1) Proposals to amend the Constitution or Class Rules and Restrictions shall be forwarded to the President in writing signed by five financial Full Members of the Member Association. Such proposals shall contain the existing clauses, provisions of restrictions in full, the reasons for amending them, and the Clauses, provisions or revisions in full as if the amendment had been carried.
- (2) Upon receipt of such proposals, the President shall forthwith notify all members of the International Council and the Secretaries of all Member Associations of the proposals and prescribe a reasonable time within which any amendments or alterations to such proposals may be lodged with the International Secretary.
- (3) Upon expiration of the time for lodging any amendments or alterations to such proposals, the President shall forthwith prepare a ballot form containing all proposals (including any suggested amendments or alterations to the original proposals) so that only one of any alternative proposals can be carried and each member of the International Council shall ensure that such ballot form is used by the Member associations which he represents in a ballot of its members to be held and returned to the International Secretary within such reasonable time as may be prescribed by the President. Failure to comply with the times stipulated for returns on such a ballot, will render such ballot invalid.
- (4) If a 75% majority of the total votes cast is in favour of any amendment, the President shall forthwith declare such amendment carried and effective and notify all members of the International Council and the Secretaries of all Member Associations.
- (5) Upon receipt of such notice, Secretaries of all Member Associations, shall forthwith as far as may be practicable, forward details of any amendments to the Class Rules or Restrictions to all Javelin Class owners and builders within their jurisdiction.
- (6) Amendments shall not take effect in the sailing season following their passing, unless they shall have been passed by 1st July.

12 INTERPRETATION

If any time, any matter shall arise which is not provided for in these rules, or in the interpretation of these rules, same shall be determined where appropriate by the International Council whose decision shall be final.

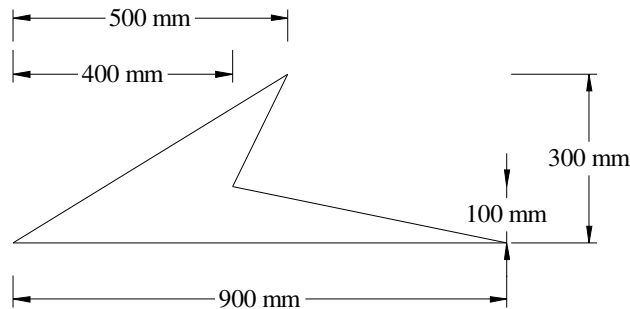
Javelin Class Restrictions

Part 2: Javelin Class Restrictions

INTRODUCTION. The class rules are designed to provide monohull boats that will yield high performance with varying crew weights, varying hull and rig designs and varying ages of crews and boats. The boats shall not be so restricted as one design but not have unlimited development. The Javelin should be a light weight exciting sailing dinghy easily handled by two persons both in the water and out, with no minimum or maximum crew weight. The Javelin Class International Association should be made aware of unusual hull or rig designs, and it shall make a ruling in the interests of the Association and it's members, keeping in mind this intention.

1. INSIGNIA

- 1.1. Shall be as shown placed on each side of sail towards mast and backed.



- 1.2. Registration numbers to be placed below insignia and may be backed only where reversible ie. 1, 8, 11, 88 etc.
- 1.3. Numbers to be sized approximately as follows: Height - 300 mm, Width - 200 mm (excluding No. 1), and Thickness - 50 mm.

2. REGISTRATION

- 2.1. Shall be issued by Class International Association on receipt of measurement form where hull, spars, gear and sails conform to all class rules.
- 2.2. The owner of the boat is responsible that the certificate is not rendered invalid by any cause, and where alteration or replacement to hull, spars, sail or gear to which any rule is applicable, the measurer shall be informed and re-measurement effected as necessary.

3. INTERPRETATION OF THESE CLASS RESTRICTIONS

Shall be as shown in the Measurement Guidelines where appropriate. All other disputes arising out of measurement shall be referred to the Javelin Class International Association for a ruling.

4. SAFETY REGULATIONS

It is drawn to the Owner's attention that boats must comply with the Safety regulations of the National or State Yachting Associations for the area in which they wish to sail. Particular regard should be paid to buoyancy requirements which may affect the construction of boats on materials other than wood.

5. INTERNATIONAL COMPETITIONS

In all international Javelin competitions, competing boats will be restricted to nominating only one mast, one mainsail, two jibs and either two spinnakers or two gennakers for use during the competition. Permission to replace damaged sails or masts must be applied for in writing, from the Race Committee.

6. AMENDMENTS TO CLASS RESTRICTIONS

- 6.1. Alteration to class rules normally applies to boats built after date of amendment but replacements shall conform to Rules at time of replacement.

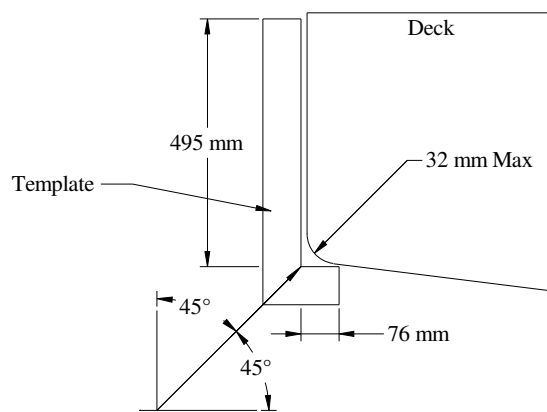
7. CREW

Shall consist of two persons of which only one member of the crew may be using a trapeze at any time.

Javelin Class Restrictions

8. HULL

- 8.1. **Length Overall:** Not to exceed 4267 mm excluding normal stem-head and rudder fittings.
- 8.2. **Beam at Widest Point:** No part of the boat may exceed 1727 mm overall beam.
- 8.3. **Boats to be hard-chine type** with not more than one chine each side of the fore and aft centreline. In both plan view and in elevation the chine line (and its extension to the stem) shall form a fair curve and may not be hollow at any point. The angle formed by the junction of bottom and sides along chines may disappear forward due to development of the lines but may not be rounded off at or aft of mid-length to a radius greater than 5mm. Where the chine is rounded to a radius not greater than 5 mm measurements shall be taken on skin mid-way on round.
- 8.4. **Materials:** Hull may be constructed of any materials provided that the decks are rigid and permanently fixed.
- 8.5. **For and Aft Centreline:** Shall form a fair curve externally and may not be hollow at any point.
- 8.6. **Sheer:** Shall be a fair continuous concave curve from stem to transom as determined with the hull orientated in its normal sailing position.
- 8.7. **Stem:** Should be approximately perpendicular to the waterline and straight except that the junction between stem and forefoot may be round in elevation. Measurements of the above to be taken off a template (as illustrated) approved by the Javelin Class International Association.



- 8.8. **Mid-length:** The following shall be measured at mid-length;
- 8.8.1. Depth measured vertically from sheer to underside of keel outside of skin but excluding keel band if fitted shall not be less than 495 mm.
- 8.8.2. Depth measured vertically from chine to underside of keel outside of skin but excluding keel band if fitted shall not exceed 210 mm.
- Note: Measurements 8.8.1 and 8.8.2 may occur over the centre case slot, in which case they shall be measured to the intersection of the projections of the bottom skin on each side of the slot (i.e. the imaginary point where the underside of the keel would be, if the centre case slot did not exist).
- 8.8.3. Beam measured outside external gunwale assembly shall not be less than 1524 mm.
- 8.8.4. Beam measured between chines shall not be less than 1212 mm.
- 8.9. **Stern:** The following shall be measured at the stern;
- 8.9.1. Depth measured vertically from sheer to underside of keel outside of skin but excluding keel band if fitted shall not be less than 267mm.
- 8.9.2. Depth measured vertically from sheer to chine shall not be less than 191 mm.
- 8.9.3. Beam measured between chines shall not be less than 915 mm.
- 8.10. **Curvature in Sections:**
- 8.10.1. Aft of mid-length, no vertical cross section of the hull may contain more than 12 mm of curvature, either concave or convex, between chine and sheer.

Javelin Class Restrictions

- 8.10.2. Between chine and fore and aft centre-line, curvature aft of mid-length may only be convex, and may not exceed 36 mm.
- 8.10.3. Any such curvature in sections shall be in the form of a fair curve and shall have its maximum rise or depth at a point not less than one quarter of the span from either extremity (ie. from sheer, chine or centre-line).
- 8.11. **Gunwale Assembly:** The outer edge of the gunwale assembly shall form a fair, continuous curve for the full length of the boat and may not be hollow in plan view at any point except that foot-stops for crew, if fitted, may extend outside of this. No projections beyond outer edge of gunwale assembly other than foot-stops are permitted.
- 8.12. **Centrebase:** Shall be fixed centrally and shall not be fitted with any device or means by which the centreplate may be set or allowed to be set off centre.
- 8.13. **Decks:** (No Current Rule)
- 8.14. **Buoyancy:**
- 8.14.1. Not less than 0.25 cubic m. of buoyancy shall be built in the form of two or more watertight compartments, disposed in such a manner as to enable the boat to comply with the buoyancy test Rule 8.14.2. Additional buoyancy is optional.
- 8.14.2. Where measurer is not satisfied as to whether buoyancy compartments are properly effective in accordance with Rule 8.14.1 these may be tested at the direction of the Class Association as follows: With sails, boom, rudder, centre board and all loose gear removed but with mast stepped, supported forward by spinnaker halyard where no forestay fitted, shall after being swamped, support continuously for half an hour with gunwales clear all round, two persons of total combined weight of not less than 136 kg and not immersed above the knees. Neither person shall be forward of mast and one only shall be forward of mid-length. Buoyancy compartments shall remain reasonably watertight during this test.
- 8.15. **Weight and Weighing:**
- 8.15.1. An accurate measuring device shall be used for weighing each boat. Weighing of each end separately is not permitted.
- 8.15.2. The hull, to be weighed in a dry condition, and inclusive of all normal permanently fixed fittings, but excluding centerboard, rudder, rudder box, sheets, tiller and extensions, mast, standing rigging, boom, sails and ram strut shall not be less than 70kg. Any item, which in the opinion of the measurer constitutes ballast, shall be removed before weighing.
- 8.15.3. In the event of a boat being underweight, one weight corrector weighting not more than 5kg will be permitted. The weight corrector shall be lead and be bolted or screwed along the centerline of the boat between the mast base and the front of the centre case and be clearly visible at all times. The weight corrector must be able to be removed and weighted separately. Any other weight deficiency shall be added by structural additions that must be permanently fastened (eg. by glue), lead being deemed not a structural material.
- 9. FOILS**
- 9.1. **Centreboard:** Centreboard may be of any material but unballasted and may not be fitted with any device or means by which it may be made asymmetric in section or set off centre. May not exceed 1677 mm in length overall.
- 9.2. **Rudder:** Rudder shall be attached centrally on stern, with rudder vertical pivot centre line not projecting greater than 300 millimetres from the stern. Rudder and rudder assembly may be of any type including tripod rudder assemblies. The rudder assembly may not be used to trapeze or hike from. No part of the rudder assembly may constitute a planing surface.
- 10. SPARS**
- 10.1. **Measuring Bands:** Shall be at least 12 mm wide and of contrasting colour to that of the spar.
- 10.2. **Mast:**
- 10.2.1. Mast shall be stepped on centreline at or below height of foredeck at centreline or projection thereof, and may revolve, but shall not be constructed with a permanent bend. The section to be such that mast will pass through a 102 mm diameter ring. Mast may be constructed from

Javelin Class Restrictions

any material and may be hollow.

- 10.2.2. Where the mast is stepped below sheerline, a measuring band shall be painted on the mast with its upper edge at sheerline, at the vertical cross-section through the mast position when the mast jack, if any is fully extended. A further measuring band shall be painted on the mast with its upper edge at the point where the projection of the top of the mainboom intersects the mast with the boom in the lowest position in which it will be set. This will be referred to as the lower measuring band. The upper measuring band shall be painted on the mast with its lower edge no more than 6250mm above the upper edge of the lower measuring band.
- 10.2.3. Height of mast not to exceed 7160 mm overall from the sheerline at the vertical cross-section through the mast position.
- 10.2.4. Forward side of jib luff or projection thereof shall not intersect the forward side of the mast at a point higher than 5025 mm above the sheerline level measuring band.
- 10.2.5. The gennaker halyard must be led from the gennaker firstly through a sheave or fair lead placed on the mast in such a way that when the halyard is held tightly perpendicular to the mast, the projection of the halyard shall intersect the mast no higher than 5825 mm above the sheerline measuring band, and the forward edge of the sheave or fair lead shall not extend further than 64 mm from the forward side of the mast. Other sheaves or fair leads after this first one are not restricted.

Note: Measurements 10.2.4, 14.3 and 10.2.5 to be taken with mast jack, if any, fully extended.

- 10.2.6. Fitting(s) to which forestay and/or jib luff are attached shall be fixed on deck forward or foreside of stem and may be attached to the bowsprit (as described by rule 10.4.2), provided the forestay and/or the projection of it passes no more than 20mm forward from the top of the bow stem.
- 10.3. **Main Boom:** May be constructed from any material and may be hollow, but shall not be constructed with a permanent bend. Section of boom shall be such that it will pass through a 102 mm diameter ring.
- 10.4. **Gennaker Boom:**
 - 10.4.1. A gennaker boom, mounted in a permanently fixed position through or on the bow may be used. The tack-line, when held perpendicular to the gennaker boom, shall not exceed 1800mm from the bow stem head at the point where it exits the boom, when fully extended. If the gennaker boom is retractable, the boom shall not project more than 700mm from bow stem head when fully retracted and shall be kept in a fully retracted position while spinnaker is not in use.
 - 10.4.2. A bowsprit may be fitted for the purpose of launching a gennaker boom, but shall not project more than 400 mm forward of bow stem head. A reinforcement may be fitted between bowsprit and bow stem. Reinforcement may be made of any material provided its dimensions are no greater than 50 mm x 12 mm. Lowest end of the reinforcement to be not less than 50 mm from lowest point of bow or projection.

11. SAILS:

11.1. Construction and Measuring:

- 11.1.1. Weight of cloth shall not be less than 135 grams per sq. m in the mainsail and the jib.
- 11.1.2. All sails shall be capable of being stowed in sail bags of conventional dimensions.
- 11.1.3. All measurements shall be made with the sail laid on a flat surface, with the part being measured being stretched just sufficiently to remove wrinkles across the line of the measurement being taken.
- 11.1.4.
- 11.1.4. Sails shall preferably be dry when measured. Should a sail exceed the restriction when wet, the owner may request a re-measure when the sail is dry.

11.2. Mainsail:

- 11.2.1. Shall be set at all times within measuring bands as prescribed on spars. No part of the headboard or sail shall be set above a line produced from the lower edge of the upper measuring band perpendicular to the mast.

Javelin Class Restrictions

- 11.2.2. In addition, the following shall be measured and the sum total of (a), (b) and (c) shall not exceed 5652 mm.
- (a) Width at three-quarter height shall be measured along the line of the fold obtained when the top forward corner of the headboard is placed on the mid-point of the luff with the two upper quarters of the luff coinciding and the sail smoothed out. This measurement shall not exceed 1600 mm.
 - (b) Width at half-quarter height shall be taken along the line of the fold obtained when the top forward corner of the headboard is placed on the bottom forward corner of the tack with the two halves of the luffs coinciding and the sail smoothed out. This measurement shall not exceed the width at quarter height.
 - (c) Width at quarter height shall be taken along the line of the fold obtained when the bottom forward corner of the tack is placed on the mid-point of the luff with the two quarters of the sail coinciding and the sail smoothed out. The point of measurement on the leach shall be the intersection of the fold line and an imaginary leach line. This imaginary leach line shall be established as follows: The lower point is the outside edge at the widest part of the sail below quarter height. The upper point is tangential to the widest point in the sail above quarter height. This line shall lie outside of all sail in all circumstances.
 - (d) Headboard: Shall not exceed 102 mm width at any point. No part of the headboard shall be set above a horizontal line extended aft of mast from lower edge of upper measuring band.
 - (e) Leach: Shall not exceed 6655 mm when stretched hand taut. The measurement of the leach shall be taken from the point of intersection of all adjacent edges outside all internal edging at clew to top forward corner of headboard.

Note: Measurements 11.2.2 (a), (b) and (c) to be taken over full width of the sail outside all external edging inclusive of false luff if fitted and any hollows in leach shall be bridged by straight lines to which measurements shall be taken.

- 11.2.3. Battens in Mainsail: Shall not exceed six in number. Width inside pockets shall not exceed 58 mm. battens may be of any length.

11.3. **Jib:**

- 11.3.1. The area of the jib shall be taken as $(0.5 \times A \times B) + (0.66 \times C \times D)$ where **A**, **B**, **C** and **D** are as defined in rule 11.3. The area shall be rounded off to the nearest 0.01m^2 and shall be equal to or less than 4.30m^2 .
- 11.3.2. The luff length **A** shall be measured from the bottom edge of the sail at the tack to the top edge of the sail at the head. The head is defined as the intersection of the luff and the leech.
- 11.3.3. The length **B** shall be measured from the outside edge of the clew to the nearest point of the luff. The clew is defined as the intersection of the foot and the leech extended as necessary.
- 11.3.4. Headboards are not permitted. Clewboards having a maximum dimension of 230mm are permitted. Clewboards are defined as being incapable of being folded by hand.
- 11.3.5. **D** shall be the maximum distance of the leech from a straight line joining the head and clew as defined in rule 11.3 measured at right angles to that line. **C** shall be the length of the line from head to clew. Where no part of the leech projects outside of the line **C**, then **D** shall be taken as equal to zero.
- 11.3.6. Battens not exceeding 3 in number are permitted.

11.4. **Gennaker:**

- 11.4.1. Gennaker to be measured with the head, tack and clew stretched out simultaneously so as to tension the three edges of the sail equally. The total length of the luff, leach and foot shall not exceed 17500 mm.
- 11.4.2. A Gennaker shall only be flown from a gennaker boom of the type described in rule 10.4.1.

- 11.5. **Only one spinnaker or gennaker** may be used or carried on board any boat in a race.

12. **PERMITTED EQUIPMENT AND METHODS:**

- 12.1. Contrivances for controlling or adjusting bend in mast while sailing, or adjusting the fore and aft position of mast heel and/or rake in mast while sailing are permitted.

Javelin Class Restrictions

- 12.2. Winches in mast for hoisting sails or adjustment of kicking strap(s) are permitted.
- 12.3. Contrivances by which bending of boom whilst sailing can be controlled or adjusted in addition to normal kickstrap, disposition of mainsheet blocks, etc. are permitted.
- 12.4. RIGGING: Standing and running rigging arrangements are optional.
- 12.5. Fore and aft position of mast is optional.
- 12.6. Wire luff in jib may be used in place of forestay.
- 12.7. Self-bailing devices: Any type permitted.

13. THE FOLLOWING ARE PROHIBITED:

- 13.1. **Bumpkins** and any other form of spar not included in Rule 10; permanently bent spars; outriggers for sheeting sails or for any other purpose; double luffed sails; pocket luff mainsails; any form of ballast.

Note: Double luffed sails does not include the type of spinnaker commonly described by that term, ie. flat parachute type spinnaker.

- 13.2. **Any item not specifically mentioned** above or elsewhere in Class Restrictions but over which doubt could reasonably be expressed shall be considered as prohibited until a ruling has been obtained from the Class international Association.

14. SPINNAKER:

- 14.1. Spinnaker Boom: Shall not exceed 2743 mm in length, measured along boom when attached to mast in normal position, from forward face of mast to point at which sail is attached with boom touching forestay. Self-retrieving spinnaker poles shall be pulled out to maximum position for measurement. May be hollow and of any material. May be jointed.
- 14.2. Two spinnaker booms may be carried but both must comply with measurement rule 14.1. Only one spinnaker boom may be attached to the clew or tack of the spinnaker in normal position at any time.
- 14.3. The spinnaker halyard must be led from the spinnaker firstly through a sheave or fair lead placed on the mast in such a way that when the halyard is held tightly perpendicular to the mast, the projection of the halyard shall intersect the mast no higher than 5024 mm above the sheerline level measuring band, and the forward edge of the sheave or fair lead shall not extend further than 64 mm from the forward side of the mast. Other sheaves or fair leads after this first one are not restricted.
- 14.4. The spinnaker to be measured with the head, tack and clew stretched out simultaneously so as to tension the three edges of the sail equally. The total length of the luff, leach and foot shall not exceed 12800 mm. Measurements to be taken from centre above all cloth or external edging at head and from points of intersection of projections of adjacent edges outside all cloth or other external edging at tack and clew. No battens are permitted in spinnaker. Width of headboard may not exceed 102 mm at any point.

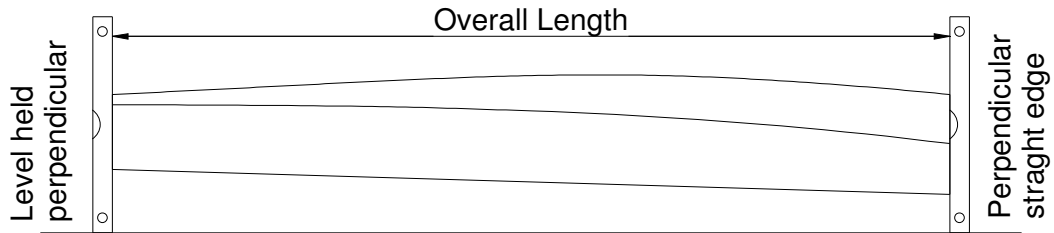
Javelin Class Measurement Guidelines

Part 3: Measurement Guidelines

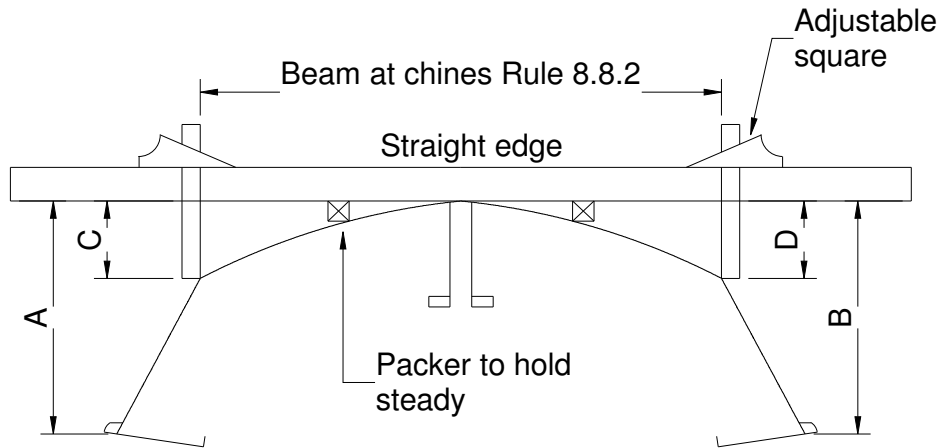
1. Equipment Required:

Measurement Form	Tape measure (8m)
Class Rules	Straight edge (1.8m)
Level	Adjustable square
Rule	Bow template
Sheer template	

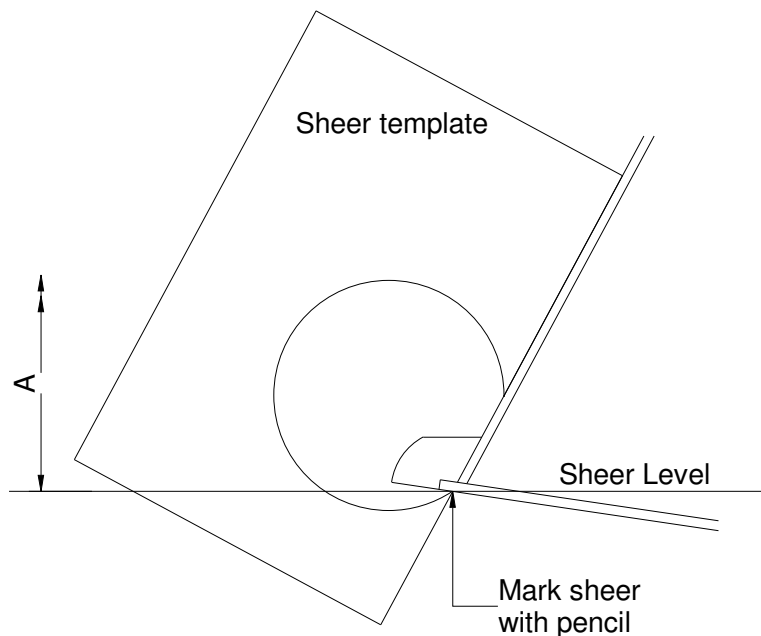
2. Overall Length:



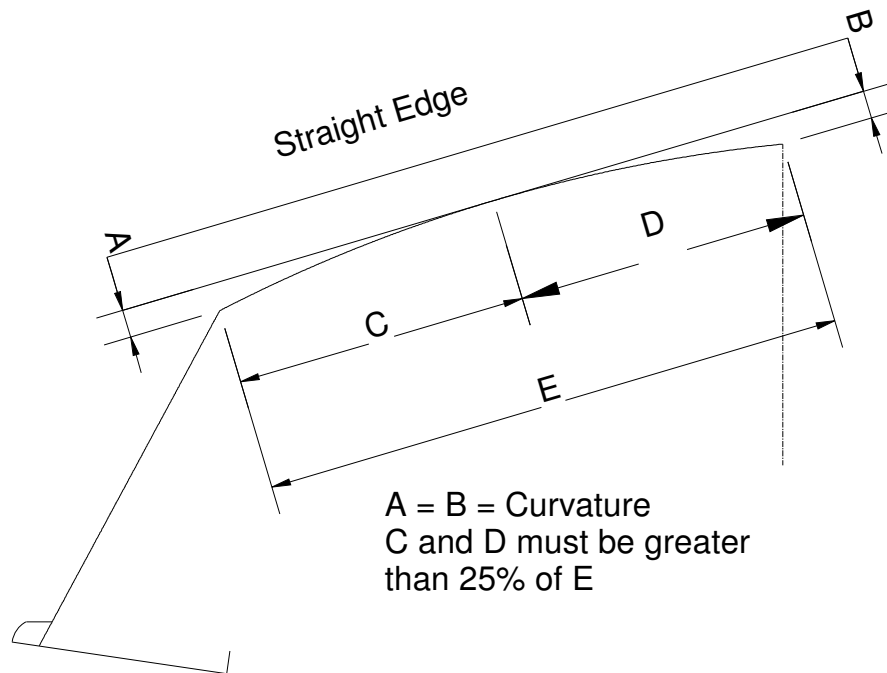
3. Mid-length Measurement:



A = B = depth Rule 8.8.1
C = D = depth Rule 8.8.2



4. Curvature of Sections:



Measure curvature in topsides similarly.

All fair curves eg. Chine line, gunwale assembly and fore & aft centre line shall be checked with a fairing batten, not string.

5. Volume of Buoyancy:

Very difficult to measure with any accuracy. If in any doubt, do a swamped test according to Rule 8.14.2. The designer could also be asked to provide volume calculations.

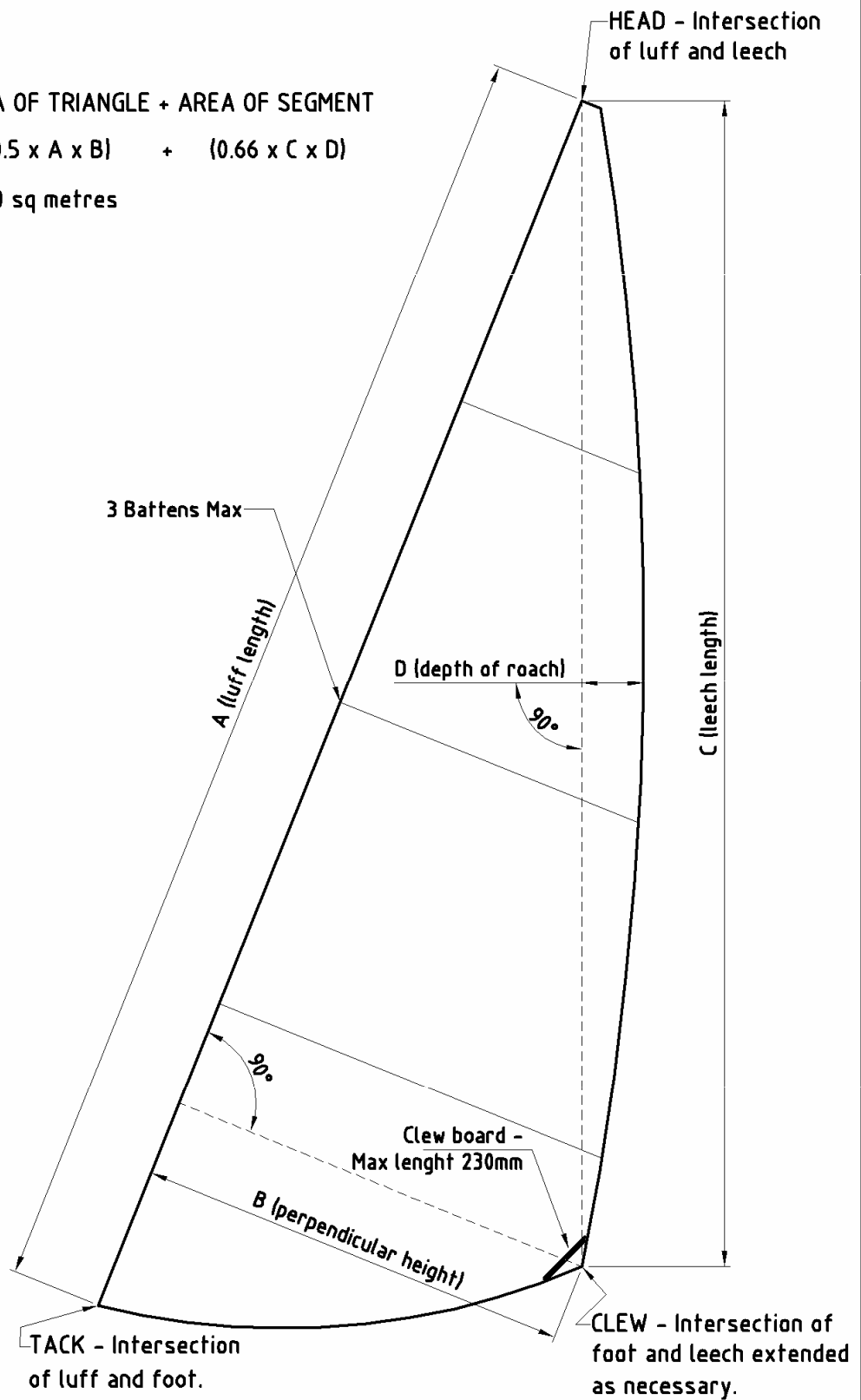
6. Jib: Measure using measurement points, etc, as per the 2 off drawings below.

Javelin Class Measurement Guidelines

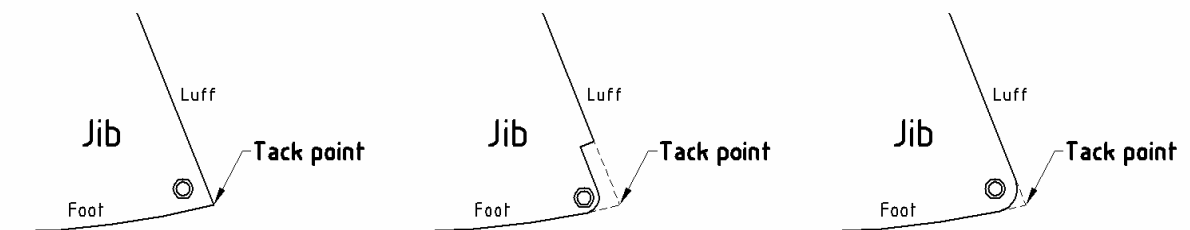
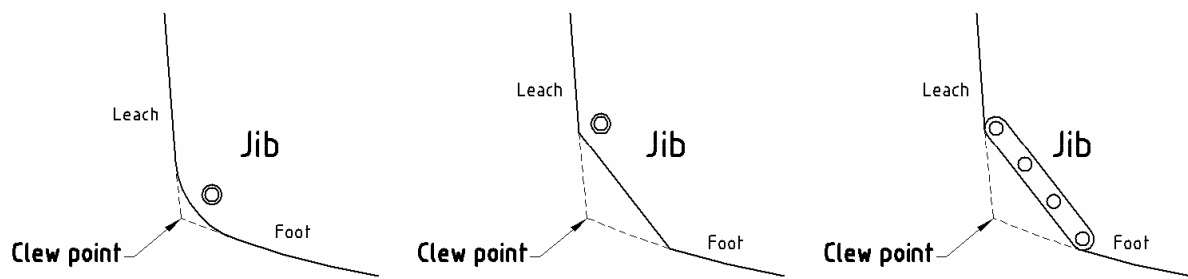
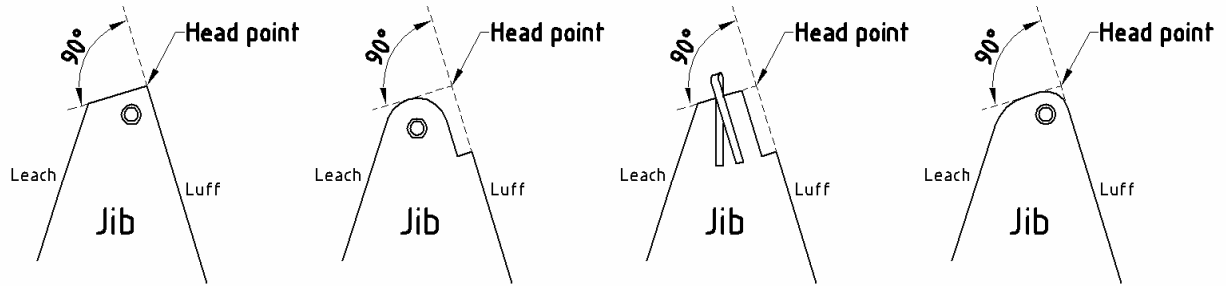
JIB AREA = AREA OF TRIANGLE + AREA OF SEGMENT

JIB AREA = (0.5 x A x B) + (0.66 x C x D)

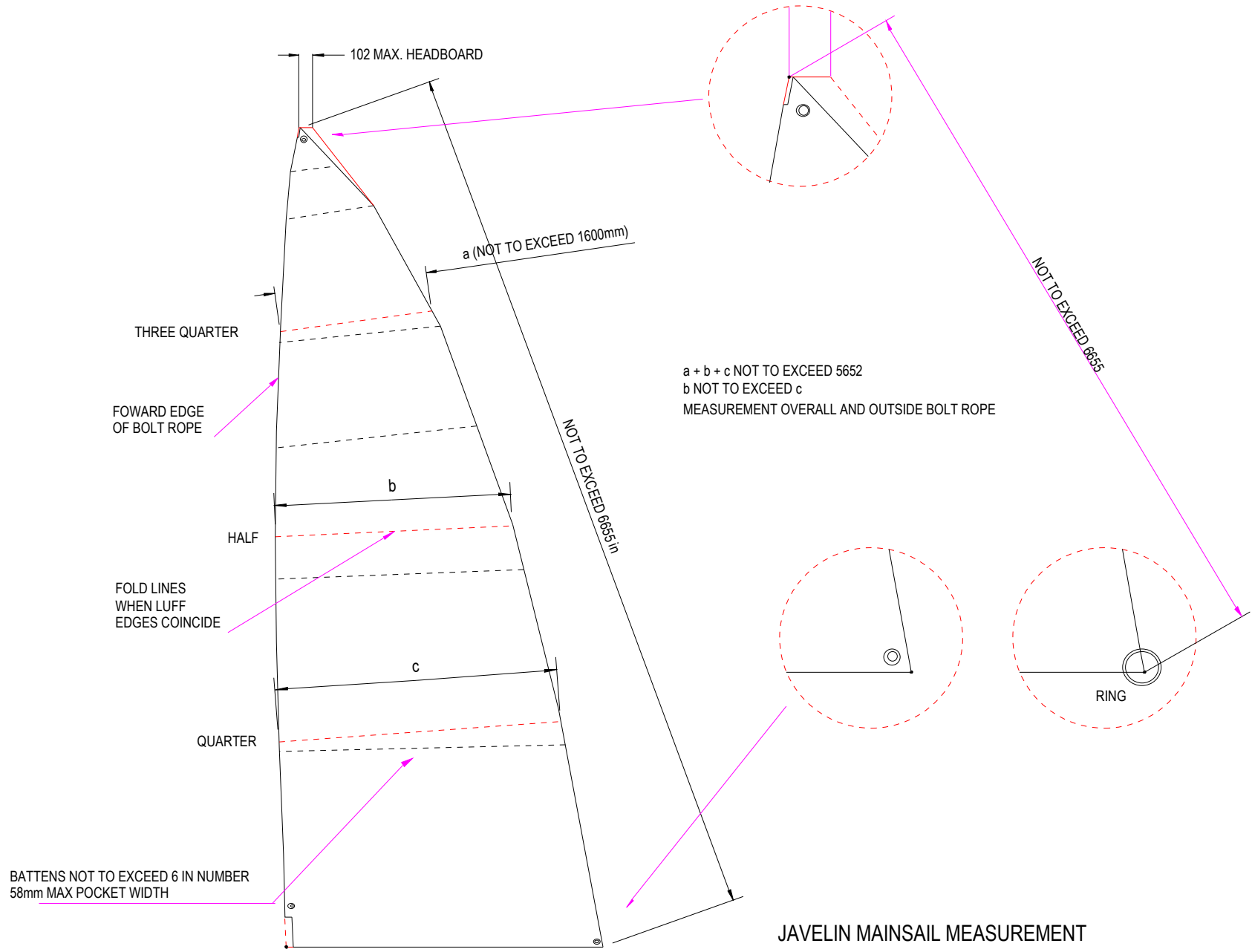
JIB AREA <= 4.30 sq metres



Javelin Class Measurement Guidelines



7. Mainsail:



JAVELIN MAINSAIL MEASUREMENT

READ IN CONJUNCTION WITH CLASS RULES 11.1 & 11.2

Javelin Class Measurement Form

Part 4 Measurement Form

To be completed by the Measurer and returned to the Registrar for issue of the Registration Number

Registration Number
Date of Registration
Registrar

Name of Boat:

Owners Name:

Owners Address:

.....

Designer:

Design Date:

Builder:

DECLARATION:

We certify that we have measured this boat, sails, and spars and it conforms with the Javelin Class Restrictions currently in force.

Signature of Owner/Builder:

Signature of Measurer:

Javelin Class Measurement Form

Note: This Measurement Form shall be used in conjunction with a set of the Javelin Class Restrictions.

Actual measurements to be shown on the form where appropriate.

Rule		Measured	Restriction
Owner informed on rules 1 to 7 and 12		Yes / No	
8	Hull		
8.1	Length overall		4267 Max.
8.2	Beam overall		1727 Max.
8.3	One chine each side of centreline	Yes / No	
	Chine fair and not hollow	Pass / Fail	
	Chine radius aft of mid length		5 Max.
8.4	Decks made of rigid material	Yes / No	
	Decks permanently fixed	Yes / No	
8.5	Keel fair and no hollows	Pass / Fail	
8.6	Sheer fair continuous concave curve	Yes / No	
8.7	Does the stem comply with template	Yes / No	
8.8.1	Mid-length: Depth sheer to keel		495 Min.
8.8.2	Mid-length: Depth chine to keel		210 Max.
8.8.3	Mid-length: Beam overall		1524 Min.
8.8.4	Mid-length: Beam at chines		1212 Min.
8.9.1	Stern: Depth sheer to keel		267 Min.
8.9.2	Stern: Depth sheer to chine		191 Min.
8.9.3	Stern: Beam at chine		915 Min.
8.10.1	Topside curvature aft of mid length		12 Max.
8.10.2	Bottom curvature aft of mid length		36 Max.
8.10.3	Max curvature within middle half	Yes / No	
8.11	Gunwale fair continuous curve	Yes / No	
8.12	Centrecase central	Yes / No	
8.14.1	Buoyancy Volume		0.25m ³ Min.
	Two or more compartments	Yes / No	
	Correctly disposed	Yes / No	
8.14.2	Was a swamp test done	Yes / No	
	Swamp test past if required	Yes / No	
8.15.2	Hull weight		70kg Min.
8.15.3	Weight of corrector		5kg Max.

Signature of Measurer: Date:

Javelin Class Measurement Form

	Weight corrector positioned correctly	Yes / No	
9	Foils		
9.1	Centreboard length		1677 Max.
	Centreboard comply	Yes / No	
9.2	Rudder vertical pivot pin from stern		300 Max.
	Assembly is not a planing surface	Pass / Fail	
10	Spars		
10.1	Measuring bands at least 12mm	Yes / No	
	Measuring bands contrasting colour to spars	Yes / No	
10.2.1	Mast stepped at or below foredeck projection	Yes / No	
	Mast constructed without a permanent bend	Yes / No	
	Mast diameter		102 Max.
10.2.2	Measuring band at sheer on mast	Yes / No / NA	
	Measuring band at projection of main boom	Yes / No	
	Length between upper and lower bands		6250 Max.
10.2.3	Mast height above sheer band		7160 Max.
10.2.4	Forestay height above sheer band		5025 Max.
10.2.5	Gennaker sheave height above sheer band		5825 Max.
	Gennaker sheave projections		64 Max.
10.2.6	Stem forestay attachment in front of stem		20 Max.
10.3	Main boom constructed without bend	Yes / No	
	Main boom diameter		102 Max.
10.4.1	Length from stem to tack line with gennaker boom extended		1800 Max.
	Retractable gennaker boom retracted projection		700 Max.
10.4.2	Bowsprit projection		400 Max.
	Bowsprit reinforcement dimension		50 × 12 Max.
	Bowsprit reinforcement stem attachment		50 Max.
11	Sails		
11.1.1	Cloth weight mainsail and jib		135 gm/m ² Min.
11.1.2	Sails can be stowed in sail bag	Yes / No	
11.2.2	Width of mainsail at ¾ height		1600 Max.
	Width of mainsail at ½ height		

Signature of Measurer: Date:

Javelin Class Measurement Form

	Width of mainsail at ¼ height		
	Sum of widths at ¾, ½ and ¼ heights		5652 Max.
	Width of mainsail headboard		102 Max.
	Length of mainsail leach		6655 Max.
11.2.3	Number of mainsail batten pockets		6 Max.
	Width of mainsail batten pockets		58 Max.
11.3	Jib Length A		
	Jib Length B		
	Jib Length C		
	Jib Length D		
	Jib Area = (0.5 x A x B) + (0.66 x C x D)		4.30m ² Max.
	Number of jib battens		3 Max.
	No headboard in jib	Pass / Fail	
	Jib Clewboard Length		230 Max.
11.4.1	Gennaker luff		
	Gennaker leach		
	Gennaker foot		
	Sum of Gennaker luff, leach and foot		17500 Max.
13	No prohibited equipment	Pass / Fail	
14	Spinnaker		
14.1	Spinnaker boom length		2743 Max.
14.3	Spinnaker sheave height above sheer band		5024 Max.
	Spinnaker sheave projections		64 Max.
14.4	Spinnaker luff 1		
	Spinnaker luff 2		
	Spinnaker foot		
	Sum of Spinnaker luff 1, luff 2 and foot		12800 Max.

Signature of Measurer: Date: